

REVISION HISTORY		
REV	DESCRIPTION	ZONE

### TABLE OF CONTENTS

Sheet 1	Cover Page	Sheet 11	.....
Sheet 2	Block Diagram	Sheet 12	.....
Sheet 3	Project Architecture	Sheet 13	.....
Sheet 4	Load Cell Amp	Sheet 14	.....
Sheet 5	BLE Controller	Sheet 15	.....
Sheet 6	Power and Interface	Sheet 16	.....
Sheet 7	Parts List	Sheet 17	.....
Sheet 8	.....	Sheet 18	.....
Sheet 9	.....	Sheet 19	.....
Sheet 10	.....	Sheet 20	.....

### PCBA RENDERS

Replace this with "kibo\_image\_blender\_3d\_angled\_top" to invoke the Blender 3D Rendering output.

Replace this with "kibo\_image\_blender\_3d\_angled\_bottom" to invoke the Blender 3D Rendering output.

### SCHEMATIC NOTES

Unless otherwise specified, components Values are in ohms,  $\mu$ F, and  $\mu$ H.

### DESIGN NOTES

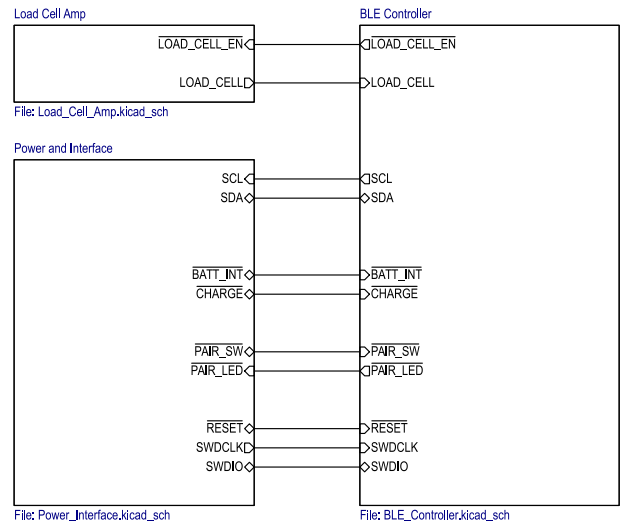
<b>DESIGN NOTE:</b> Example text for informational design notes.	<b>DESIGN NOTE:</b> Example text for cautionary design notes.	<b>DESIGN NOTE:</b> Example text for debug notes.	<b>LAYOUT NOTE:</b> Example text for critical layout guidelines.	<b>DESIGN NOTE:</b> Example text for critical design notes.
---	--	--	---	--

Drawing Title  
Schematic, Assembly Name

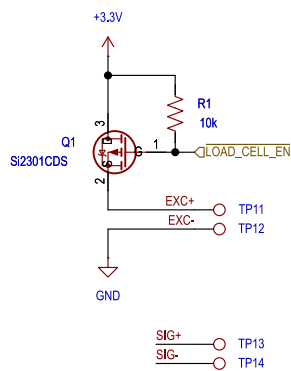
Designer JPK	Size A4	Drawing Number S99-9000	Revision NO_TAG+ (Unreleased)
Used On	File Name Test_5.kicad_sch	Release State DRAFT	Release Date 2026-03-06
Used On A99-9000	Scale 2:1	KICad E.D.A. 9.0.7	Git Hash 02b8af5
			Sheet 1 of 7

	1	2	3	4	5	6
A						
B						
C						
D						
	1	2	3	4	5	6

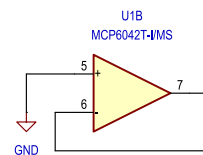
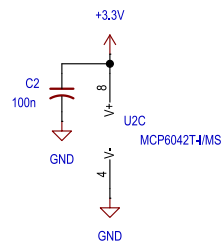
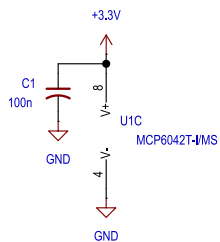
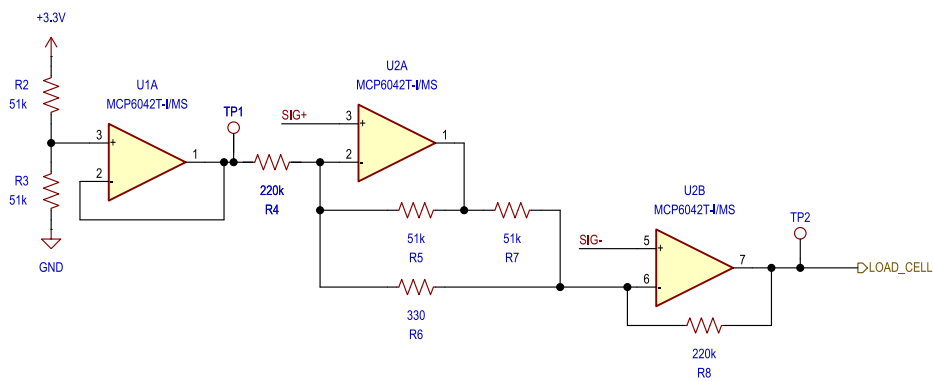
Sheet Title				Block Diagram	
Drawing Title				Schematic, Assembly Name	
Size	Drawing Number		Revision		
A4	S99-9000		NO_TAG+ (Unreleased)		
File Name				Block_Diagram.kicad_sch	
Release State	Release Date		Git Hash		
DRAFT			02b8af5		
Scale	KICad E.D.A. 9.0.7		Sheet		2 of 7
2:1					



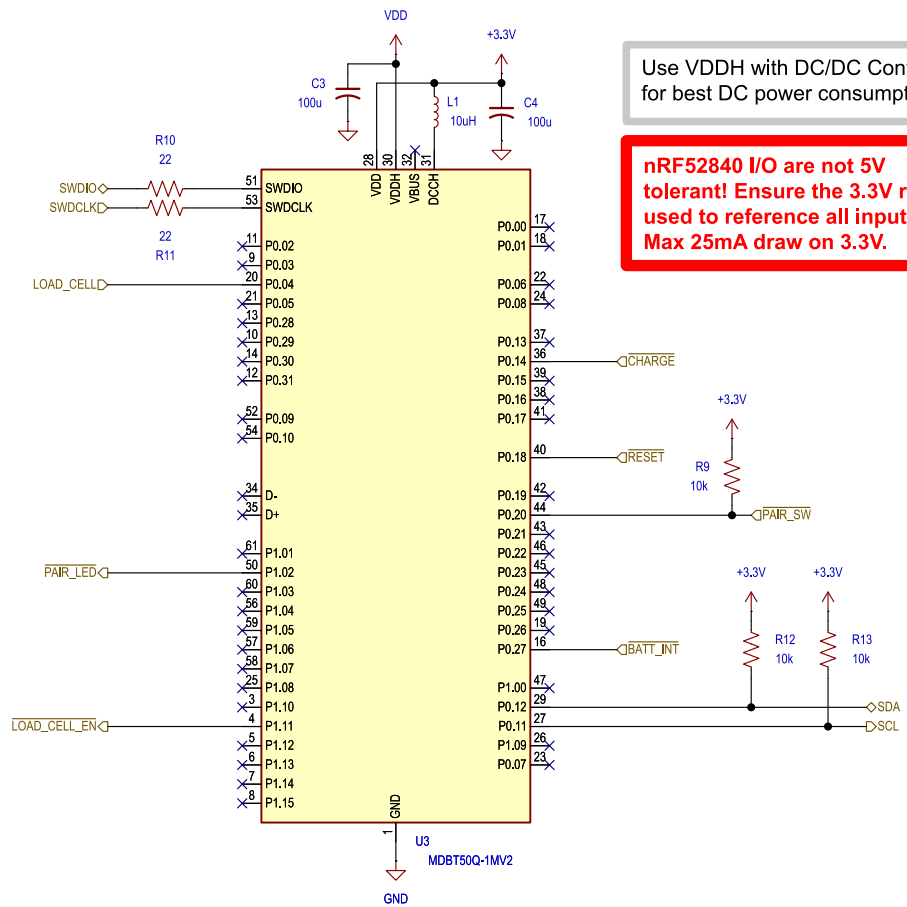
Sheet Title Project Architecture		
Drawing Title Schematic, Assembly Name		
Size A4	Drawing Number S99-9000	Revision NO_TAG+ (Unreleased)
File Name Architecture.kicad_sch		
Release State DRAFT	Release Date	Git Hash 02b8af5
Scale 2:1	KICad E.D.A. 9.0.7	Sheet 3 of 7



Place four, 1.5mm x 3mm solder pads for Load Cell connections (signals EXC+, EXC-, SIG+, and SIG-). Mark with silkscreen as "E+", "E-", "S+", "S-".



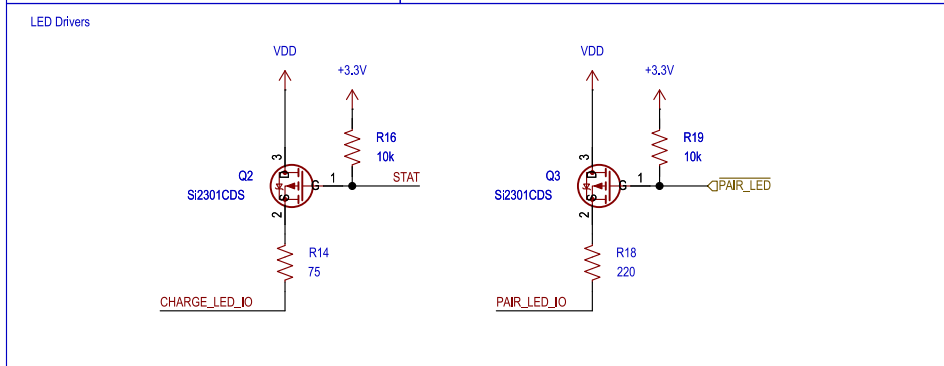
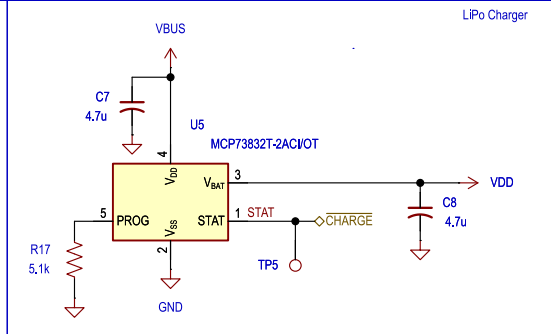
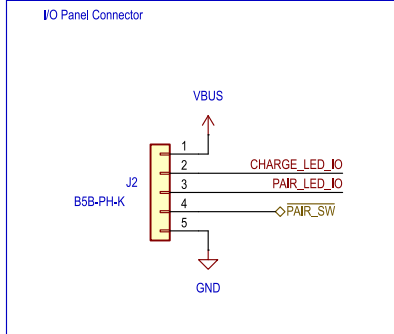
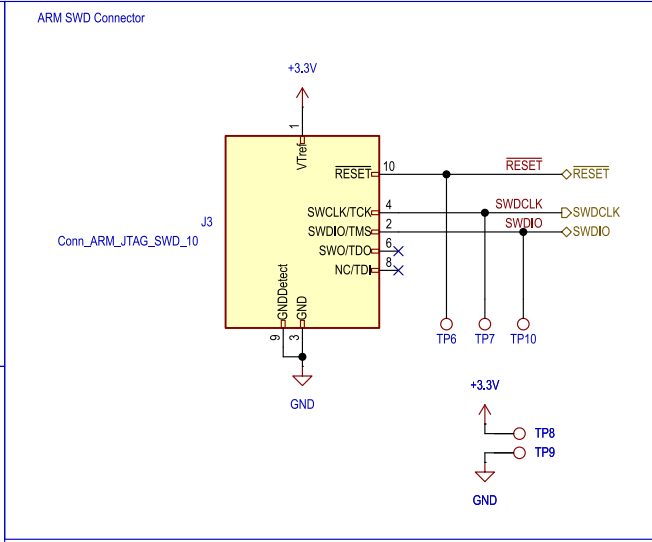
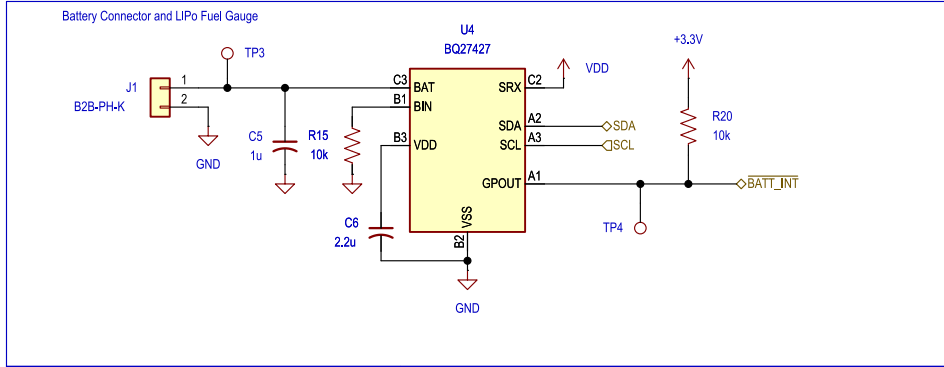
Sheet Title Load Cell Amp		
Drawing Title Schematic, Assembly Name		
Size A4	Drawing Number S99-9000	Revision NO_TAG+ (Unreleased)
File Name Load_Cell_Amp.kicad_sch		
Release State DRAFT	Release Date	Git Hash 02b8af5
Scale 2:1	KICad E.D.A. 9.0.7	Sheet 4 of 7



Use VDDH with DC/DC Converter for best DC power consumption.

**nRF52840 I/O are not 5V tolerant! Ensure the 3.3V rail is used to reference all inputs. Max 25mA draw on 3.3V.**

Sheet Title Circuit 2		
Drawing Title Schematic, Assembly Name		
Size A4	Drawing Number S99-9000	Revision NO_TAG+ (Unreleased)
File Name BLE_Controller.kicad_sch		
Release State DRAFT	Release Date	Git Hash 02b8af5
Scale 2:1	KiCad E.D.A. 9.0.7	Sheet 5 of 7



The LEDs on the P25-9010-2 board have the following characteristics:  
 - Charge LED: 25mA If, 1.6~2.6V Vf => 75 ohm  
 - Pair LED: 5mA If, 2.6~3.1V Vf => 220 ohm

Sheet Title Battery Interface		
Drawing Title Schematic, Assembly Name		
Size A4	Drawing Number S99-9000	Revision NO_TAG+ (Unreleased)
File Name Power_Interface.kicad_sch		
Release State DRAFT	Release Date	Git Hash 02b8af5
Scale 2:1	KICad E.D.A. 9.0.7	Sheet 6 of 7

	1	2	3	4	5	6
A						
B						
C						
D						
	1	2	3	4	5	6

Sheet Title				Parts List	
Drawing Title				Schematic, Assembly Name	
Size	Drawing Number		Revision		
A4	S99-9000		NO_TAG+ (Unreleased)		
File Name				Parts_List.kicad_sch	
Release State	Release Date		Git Hash		
DRAFT			02b8af5		
Scale	KICad E.D.A. 9.0.7		Sheet		
2:1			7 of 7		