

REVISION HISTORY

| REV | DESCRIPTION | ZONE |
|-----|-------------|------|
| | | |

TABLE OF CONTENTS

| | |
|------------------------------|----------------|
| Sheet 1 Cover Page | Sheet 11 |
| Sheet 2 Block Diagram | Sheet 12 |
| Sheet 3 Project Architecture | Sheet 13 |
| Sheet 4 Load Cell Amp | Sheet 14 |
| Sheet 5 BLE Controller | Sheet 15 |
| Sheet 6 Power and Interface | Sheet 16 |
| Sheet 7 Parts List | Sheet 17 |
| Sheet 8 | Sheet 18 |
| Sheet 9 | Sheet 19 |
| Sheet 10 | Sheet 20 |

SCHEMATIC NOTES

Unless otherwise specified, components Values are in ohms, μ F, and μ H.

PCBA RENDERS

Replace this with "kibo_image_blender_3d_angled_top" to invoke the Blender 3D Rendering output.

Replace this with "kibo_image_blender_3d_angled_bottom" to invoke the Blender 3D Rendering output.

DESIGN NOTES

DESIGN NOTE:
Example text for informational design notes.

DESIGN NOTE:
Example text for cautionary design notes.

DESIGN NOTE:
Example text for debug notes.

LAYOUT NOTE:
Example text for critical layout guidelines.

DESIGN NOTE:
Example text for critical design notes.

The Git Edit

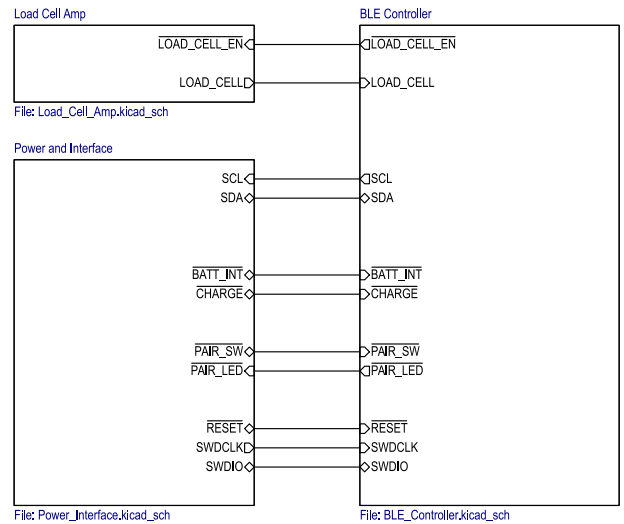
Drawing Title
Schematic, Assembly Name

| | | | |
|------------------|----------------------------|-------------------------|-------------------------------|
| Designer JPK | Size A4 | Drawing Number S99-9000 | Revision NO_TAG+ (Unreleased) |
| Used On | File Name Test_5.kicad_sch | Release State WORKING | Release Date 2026-03-07 |
| Used On A99-9000 | Scale 2:1 | KiCad E.D.A. 9.0.7 | Git Hash 5caa450 |
| | | | Sheet 1 of 7 |

| | | | | | | |
|---|---|---|---|---|---|---|
| | 1 | 2 | 3 | 4 | 5 | 6 |
| A | | | | | | |
| B | | | | | | |
| C | | | | | | |
| D | | | | | | |
| | 1 | 2 | 3 | 4 | 5 | 6 |

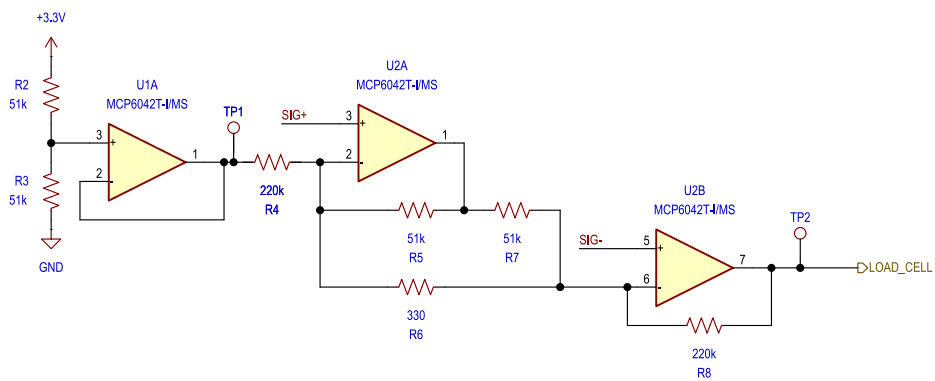
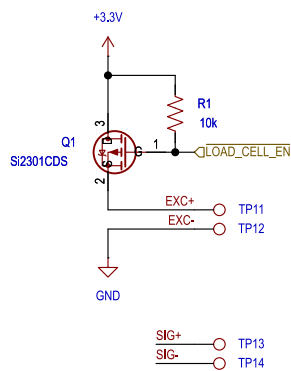
The Git Edit

| | | | |
|---|--|--|------------------------------|
| Sheet Title Block Diagram | | | |
| Drawing Title Schematic, Assembly Name | | | |
| Size A4 | Drawing Number S99-9000 | Revision NO_TAG+ (Unreleased) | |
| File Name Block_Diagram.kicad_sch | | | |
| Release State WORKING | Release Date | Git Hash 5caa450 | |
| Scale 2:1 | KiCad E.D.A. 9.0.7 | | Sheet 2 of 7 |

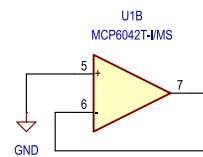
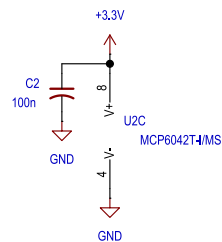
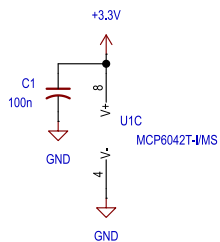


The Git Edit

| | | |
|--|-------------------------|-------------------------------|
| Sheet Title Project Architecture | | |
| Drawing Title Schematic, Assembly Name | | |
| Size A4 | Drawing Number S99-9000 | Revision NO_TAG+ (Unreleased) |
| File Name Architecture.kicad_sch | | |
| Release State WORKING | Release Date | Git Hash 5caa450 |
| Scale 2:1 | KICad E.D.A. 9.0.7 | Sheet 3 of 7 |

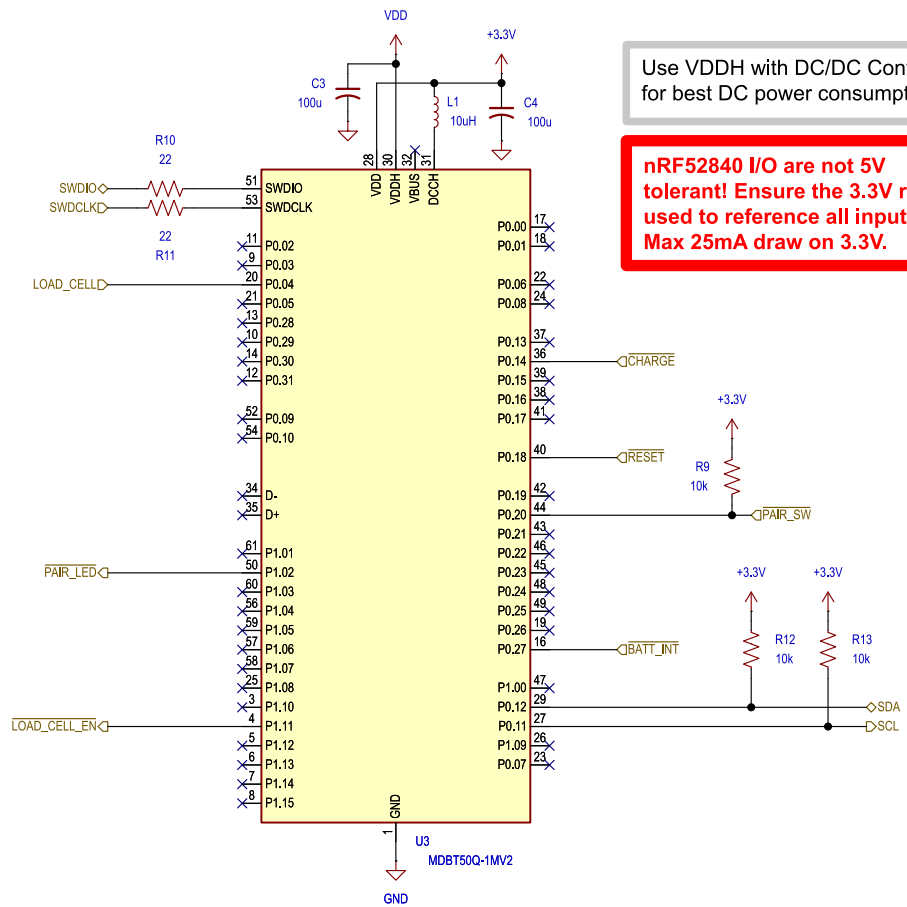


Place four, 1.5mm x 3mm solder pads for Load Cell connections (signals EXC+, EXC-, SIG+, and SIG-). Mark with silkscreen as "E+", "E-", "S+", "S-".



The Git Edit

| | | |
|--|-------------------------|-------------------------------|
| Sheet Title Load Cell Amp | | |
| Drawing Title Schematic, Assembly Name | | |
| Size A4 | Drawing Number S99-9000 | Revision NO_TAG+ (Unreleased) |
| File Name Load_Cell_Amp.kicad_sch | | |
| Release State WORKING | Release Date | Git Hash 5caa450 |
| Scale 2:1 | KICad E.D.A. 9.0.7 | Sheet 4 of 7 |

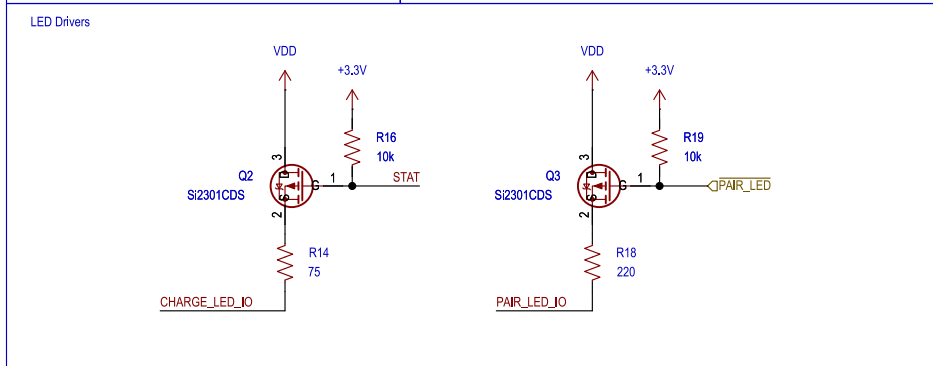
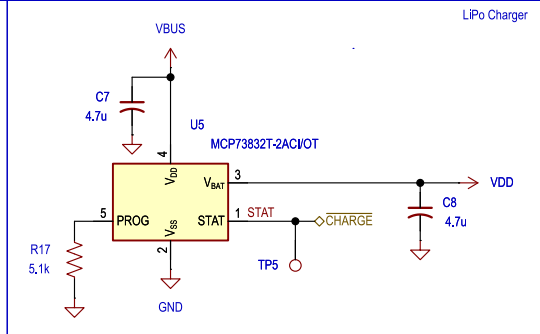
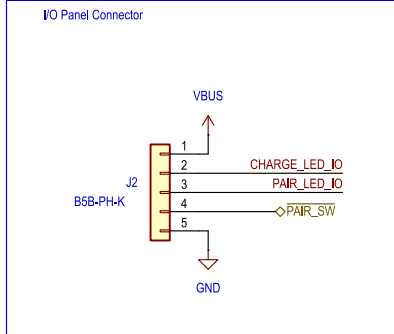
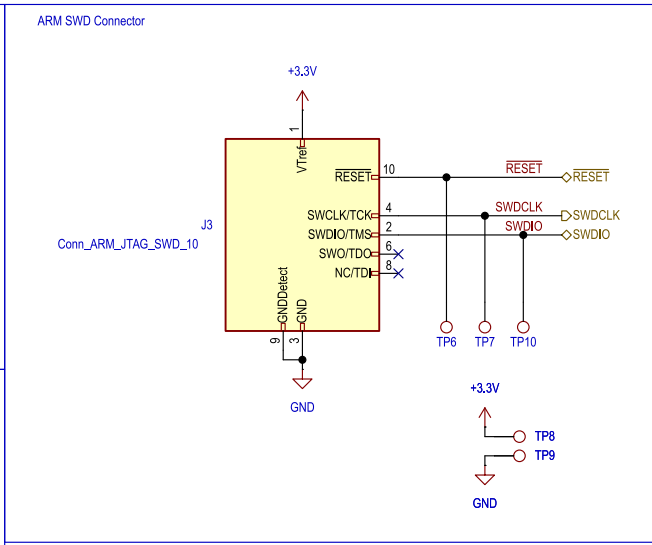
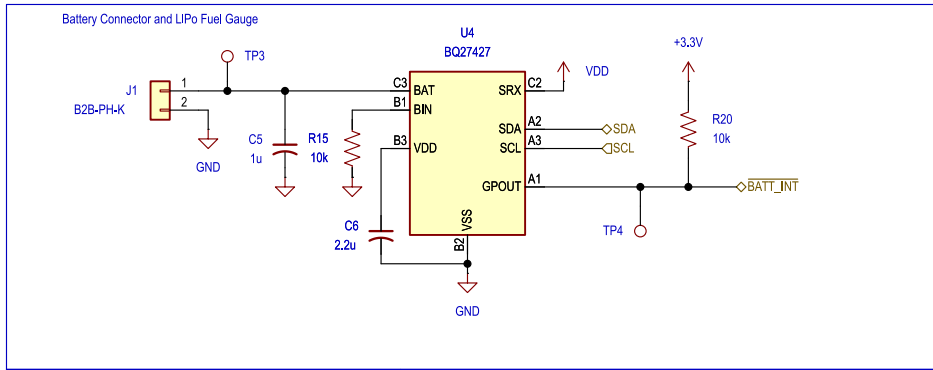


Use VDDH with DC/DC Converter for best DC power consumption.

nRF52840 I/O are not 5V tolerant! Ensure the 3.3V rail is used to reference all inputs. Max 25mA draw on 3.3V.

The Git Edit

| | | |
|--|-------------------------|-------------------------------|
| Sheet Title Circuit 2 | | |
| Drawing Title Schematic, Assembly Name | | |
| Size A4 | Drawing Number S99-9000 | Revision NO_TAG+ (Unreleased) |
| File Name BLE_Controller.kicad_sch | | |
| Release State WORKING | Release Date | Git Hash 5caa450 |
| Scale 2:1 | KICad E.D.A. 9.0.7 | Sheet 5 of 7 |



The LEDs on the P25-9010-2 board have the following characteristics:
 - Charge LED: 25mA If, 1.6~2.6V Vf => 75 ohm
 - Pair LED: 5mA If, 2.6~3.1V Vf => 220 ohm

The Git Edit

| | | |
|--|-------------------------|-------------------------------|
| Sheet Title Battery Interface | | |
| Drawing Title Schematic, Assembly Name | | |
| Size A4 | Drawing Number S99-9000 | Revision NO_TAG+ (Unreleased) |
| File Name Power_Interface.kicad_sch | | |
| Release State WORKING | Release Date | Git Hash 5caa450 |
| Scale 2:1 | KICad E.D.A. 9.0.7 | |
| Sheet | | 6 of 7 |

| | | | | | | |
|---|---|---|---|---|---|---|
| | 1 | 2 | 3 | 4 | 5 | 6 |
| A | | | | | | |
| B | | | | | | |
| C | | | | | | |
| D | | | | | | |
| | 1 | 2 | 3 | 4 | 5 | 6 |

The Git Edit

| | | | | | |
|---------------|----------------|--------------------|----------|--------------------------|---------|
| Sheet Title | | | | Parts List | |
| Drawing Title | | | | Schematic, Assembly Name | |
| Size | Drawing Number | Revision | | NO_TAG+ (Unreleased) | |
| A4 | S99-9000 | | | | |
| File Name | | | | Parts_List.kicad_sch | |
| Release State | WORKING | Release Date | Git Hash | | 5caa450 |
| Scale | 2:1 | KiCad E.D.A. 9.0.7 | | Sheet | 7 of 7 |